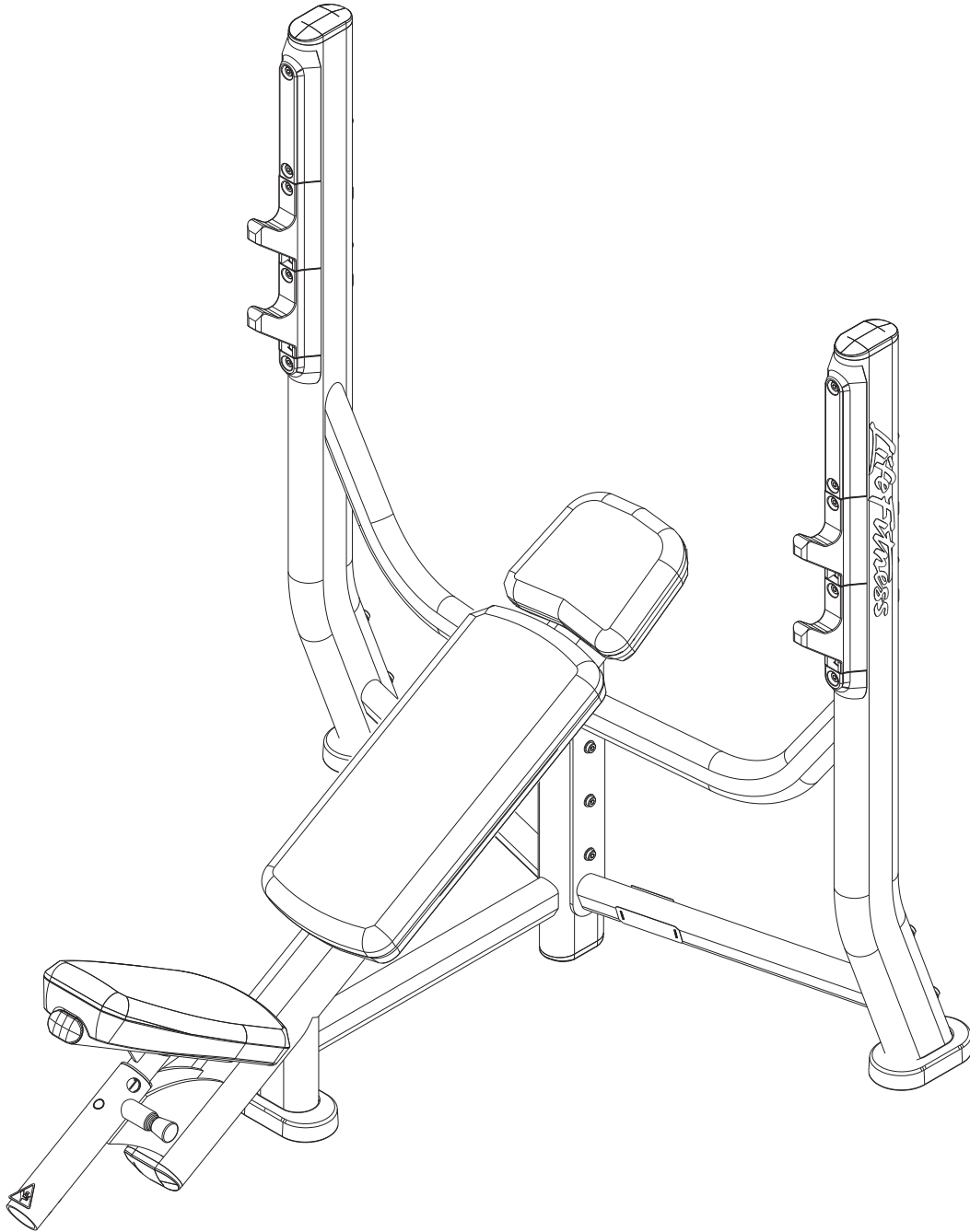




SIGNATURE SERIES
SOIB
SIGNATURE OLYMPIC INCLINE BENCH



Customer Support Services
PARTS LIST

SOIB SIGNATURE OLYMPIC INCLINE BENCH CONTENTS

	PAGE
COMPONENT ASSEMBLY	3
COMPONENT ASSEMBLY LEGEND	4
RIGHT UPRIGHT ASSEMBLY	5
RIGHT UPRIGHT ASSEMBLY LEGEND	6
LEFT UPRIGHT ASSEMBLY	7
LEFT UPRIGHT ASSEMBLY LEGEND	8
CENTER FRAME ASSEMBLY	9
CENTER FRAME ASSEMBLY LEGEND	10
IMAGE	11

NOTE: SUBSTITUTE PART NUMBERS ENDING WITH 'XX' WITH THE REQUIRED COLOR CODES.

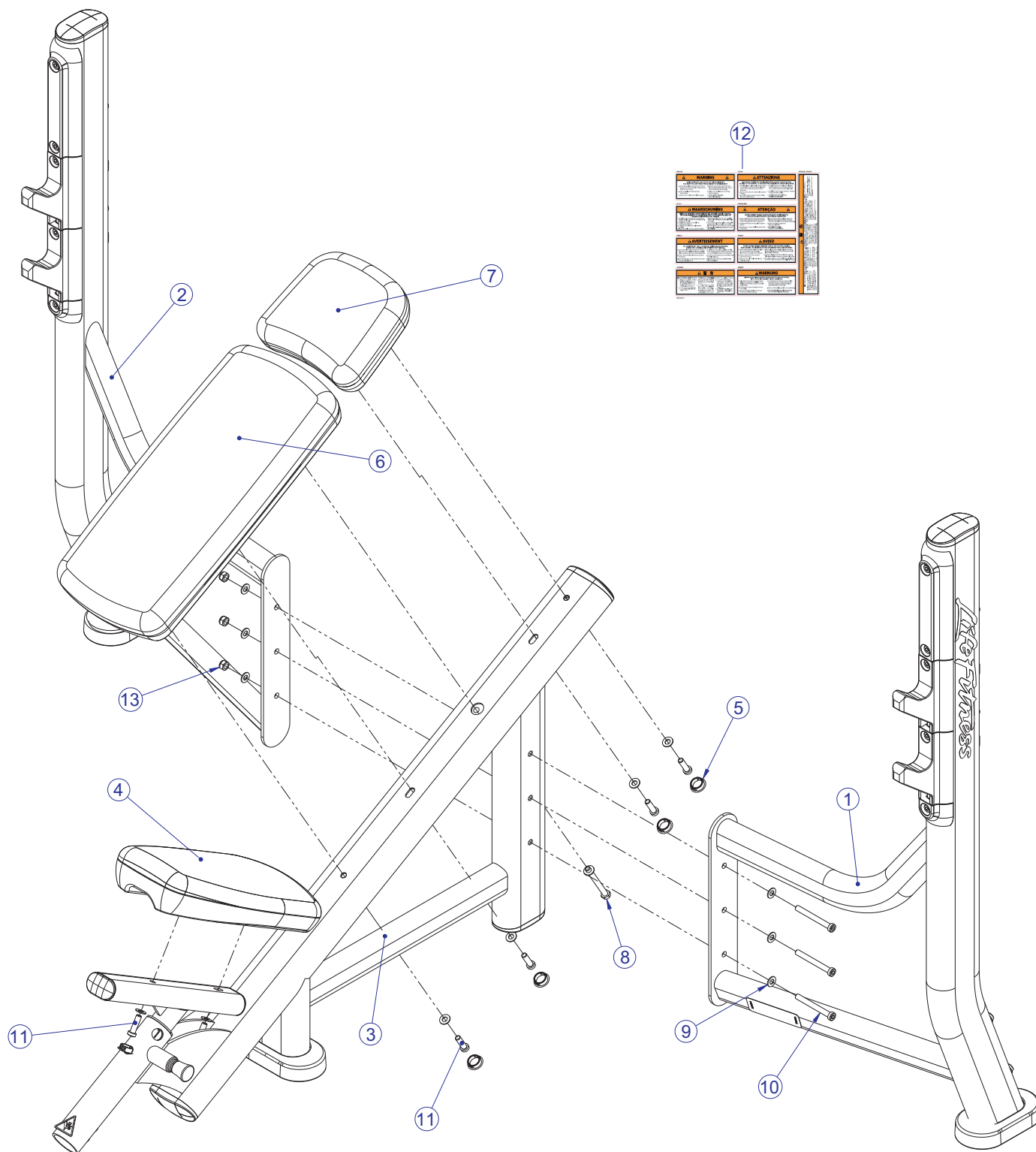
FRAME

01 = WHITE
02 = PLATINUM
03 = BLACK

PADS

01 = BLACK
99 = CUSTOM

SOIB SIGNATURE OLYMPIC INCLINE BENCH COMPONENT ASSEMBLY

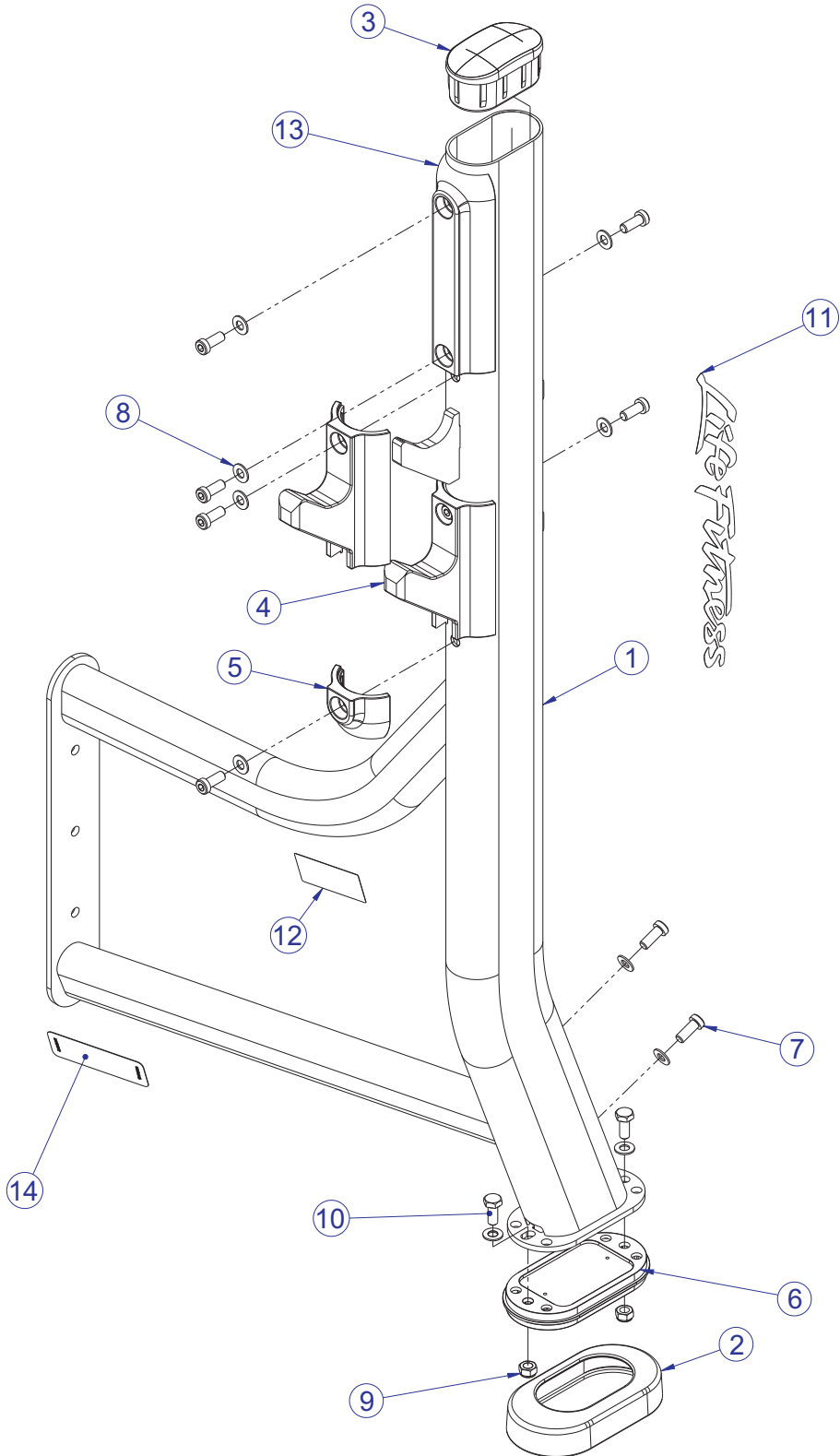


SEE PAGE 4 FOR LEGEND

SOIB SIGNATURE OLYMPIC INCLINE BENCH COMPONENT ASSEMBLY LEGEND

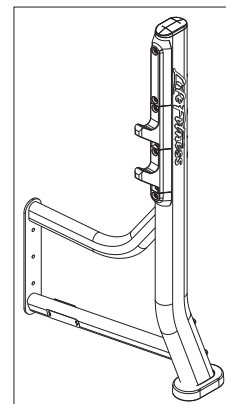
ITEM NO.	QTY.	PART NO.	DESCRIPTION
1	1	78442XX	PTD ASSY, SOIB, RT UPRIGHT
2	1	78437XX	PTD ASSY, SOIB, LEFT UPRIGHT
3	1	78431XX	PTD ASSY, SOIB, CENTER FRAME
4	1	78138XX	PAD, 10 X 16 TAPERED CONVEX
5	6	3237403	PLUG, 1" HOLE
6	1	78140XX	PAD, 24 X 11 FLAT
7	1	78219XX	PAD, HEAD REST, FLAT
8	1	3260805	BOLT, M10-1.5 X 95MM, 10-0122-025, BNR
9	13	3102514	WASHER, FLAT 3/8" SAE ST ZN
10	3	3256215	SCREW, M10 X 1.5 90MM ZN
11	6	LEA3256204	SCREW, M10 X 1.5 35MM ZN
12	1	8137701	DECAL, WARNING, HORIZ, MULTI-LANG SHEET
13	3	3242002	NUT, M10 X 1.5 HEX NYLOCK

SOIB SIGNATURE OLYMPIC INCLINE BENCH RIGHT UPRIGHT ASSEMBLY - 78442XX



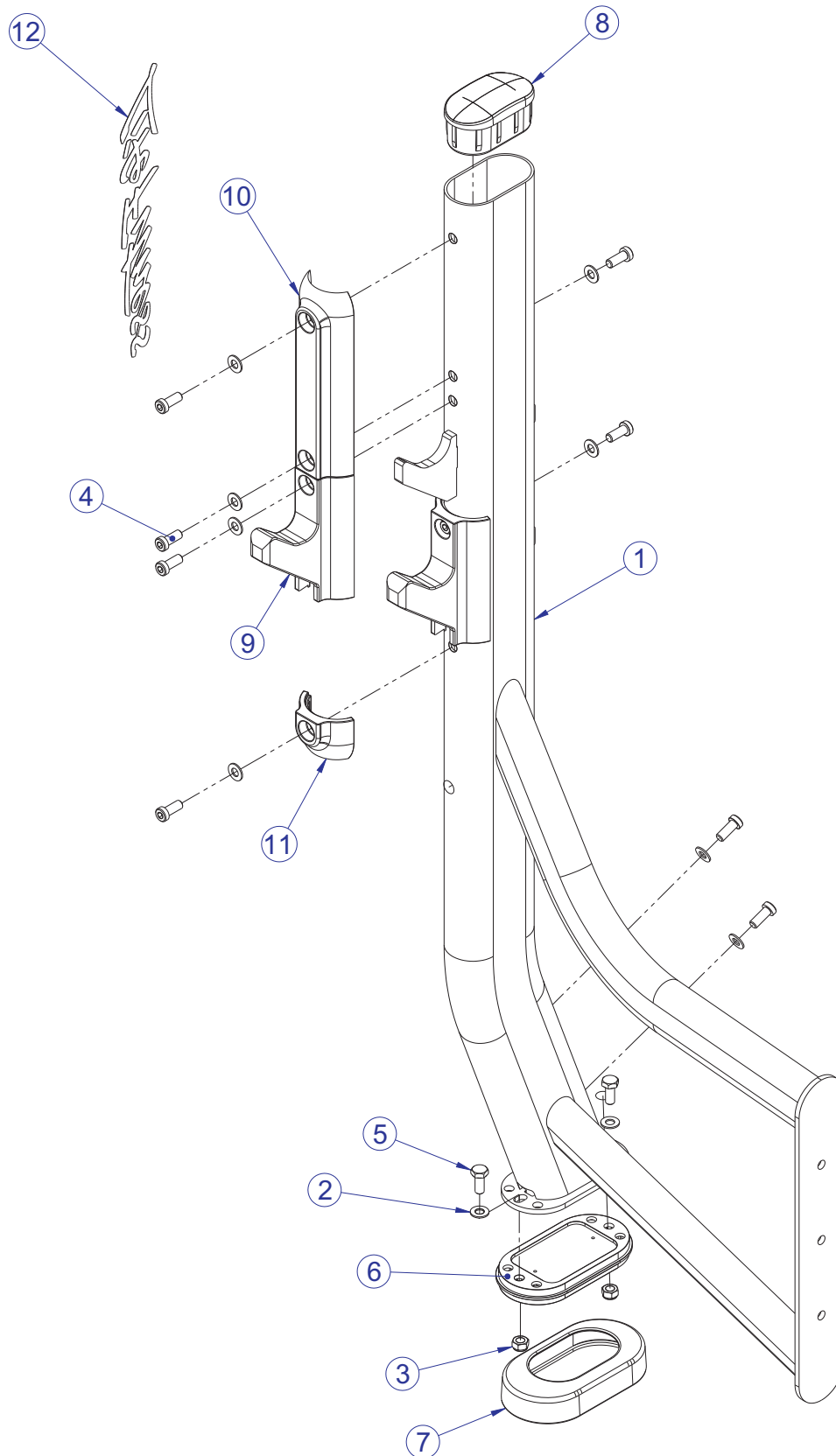
SEE PAGE 6 FOR LEGEND

SOIB SIGNATURE OLYMPIC INCLINE BENCH RIGHT UPRIGHT ASSEMBLY LEGEND



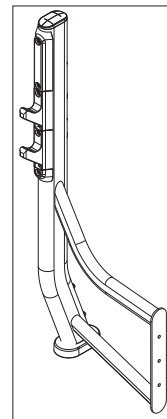
ITEM NO.	QTY.	PART NO.	DESCRIPTION
1	1	78442XX	PTD ASSY, SOIB, RT UPRIGHT
2	1	7340201	COVER, FOOT - STRAIGHT
3	1	7800401	CAP, LRG FLOV END
4	2	7804501	HOOK, BAR CATCH
5	1	8077501	GUARD, BAR CATCH, LOWER
6	1	7334001	FOOT, 2.50 X 4.49 FLOV
7	9	3256202	SCREW, M10 X1.5 25MM
8	11	3102514	WASHER, FLAT 3/8" SAE ST ZN
9	2	3242002	NUT, M10 X 1.5 HEX NYLOCK
10	2	3251202	SCREW, M10 X1.5 X 25MM UNS HEX CS ST ZN
11	1	8003301	LABEL, LIFE FIT 2-1/2 X 15 SG
12	1	8106801	LABEL, SERIAL NUMBER, LARGE
13	1	7804601	GUARD, BAR CATCH
14	1	LEA7002501	LABEL, H WARNING 4.5 X 1.625

SOIB SIGNATURE OLYMPIC INCLINE BENCH LEFT UPRIGHT ASSEMBLY - 78437XX



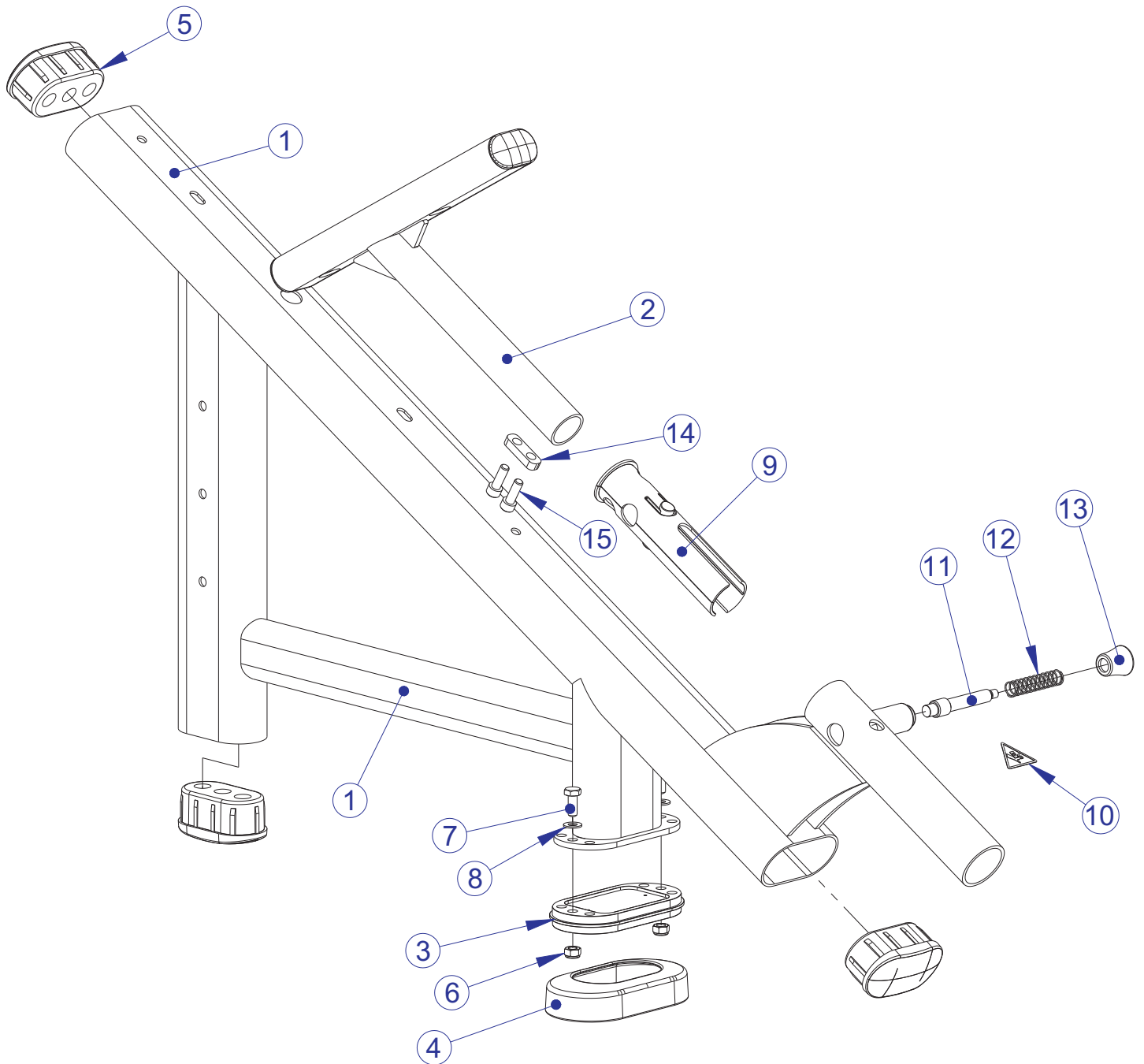
SEE PAGE 6 FOR LEGEND

SOIB SIGNATURE OLYMPIC INCLINE BENCH LEFT UPRIGHT ASSEMBLY LEGEND



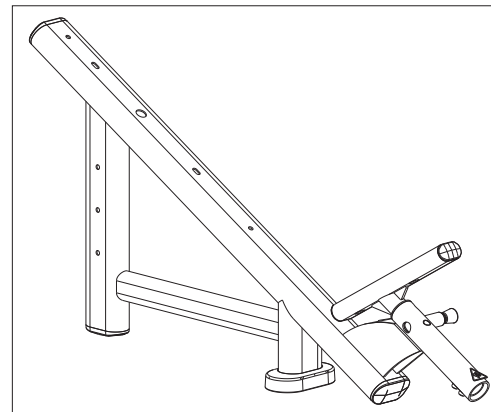
ITEM NO.	QTY.	PART NO.	DESCRIPTION
1	1	78437XX	PTD ASSY, SOIB, LEFT UPRIGHT
2	11	3102514	WASHER, FLAT 3/8" SAE ST ZN
3	2	3242002	NUT, M10 X 1.5 HEX NYLOCK
4	9	3256202	SCREW, M10 X1.5 25MM
5	2	3251202	SCREW, M10 X1.5 X 25MM UNS HEX CS ST ZN
6	1	7334001	FOOT, 2.50 X 4.49 FLOV
7	1	7340201	COVER, FOOT - STRAIGHT
8	1	7800401	CAP, LRG FLOV END
9	2	7804501	HOOK, BAR CATCH
10	1	7804601	GUARD, BAR CATCH
11	1	8077501	GUARD, BAR CATCH, LOWER
12	1	8003301	LABEL, LIFE FIT 2-1/2 X 15 SG

SOIB SIGNATURE OLYMPIC INCLINE BENCH CENTER FRAME ASSEMBLY - 78431XX



SEE PAGE 10 FOR LEGEND

SOIB SIGNATURE OLYMPIC INCLINE BENCH CENTER FRAME ASSEMBLY LEGEND



ITEM #	QTY.	PART NO.	DESCRIPTION
1	1	78431XX	PTD ASSY, SOIB, CENTER FRAME
2	1	78487XX	PTD. ASSY, SOIB, SEAT
3	1	LEA7763001	FOOT, 2.50 X 4.49 FLOV
4	1	7340201	COVER, FOOT - STRAIGHT
5	3	7800401	CAP, LRG FLOV END
6	2	3242002	NUT, M10 X 1.5 HEX NYLOCK
7	2	3251202	SCREW, M10 X1.5 X 25MM UNS HEX CS ST ZN
8	2	3102514	WASHER, FLAT 3/8" SAE ST ZN
9	2	8087201	BUSHING, SLIP TUBE, PLASTIC, 55.3MM O.D. X 45.2MM I.D.
10	1	8039501	LABEL, WARNING, SM. TRIANGLE
11	1	7351301	PIN, PULL
12	1	7351501	SPRING; PULL PIN LARGE
13	1	7351401	KNOB, TULIP STYLE
14	1	8153501	KEY, SOIB, SEAT ADJ.
15	2	3251703	SCREW, M10 X1.5 30MM

SOIB SIGNATURE OLYMPIC INCLINE BENCH IMAGE

